

UFO Recessed Light



Features:

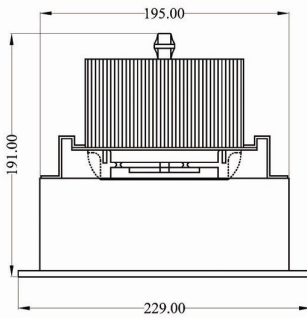
- These Down Lights utilizing U-Tron's UFO. Engine technology which has over 6 years of proven success.
- Incorporating the LED technology to retrofit existing Halogen Down Lights made by Shanghai FUCIDA Company.
- Power consumption ranges from 30 to 100 Watts to meet all the requirements on every application.
- Delivering over 120 lm/watt Efficacy.

Application

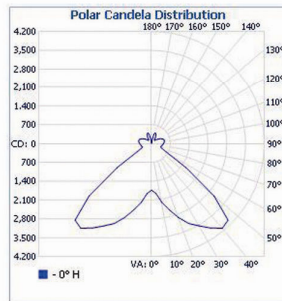
Indoor lighting, shops, commercial lighting, supermarkets, malls, and offices.

Technical Specifications

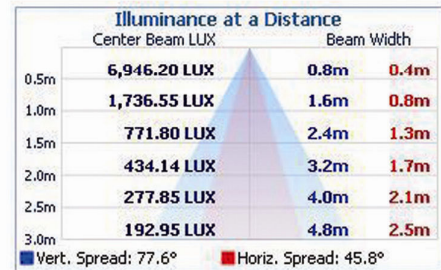
Outline Drawing



Polar Candela Distribution



Illuminance



Ordering Guide

Photo	Ordering #	Power	Model	CCT	Lumens	Description
	6870-R12-CR5	20 Watts	Model 12	5000-6500K	1,668 lm	Input Voltage: 85-265 VAC 50/60Hz Net Weight: 1.38 Kg Dimension: H 191mm x Ø 229mm Open Hole Diameter: Ø 210mm
	6870-R12-NR4			4000-5000K	1,560 lm	
	6870-R12-WQ5			2700-3500	1,284 lm	
	6870-R28-CR5	40 Watts	Model 28	5000-6500K	3,892 lm	Input Voltage: 85-265 VAC 50/60Hz Net Weight: 1.38 Kg Dimension: H 191mm x Ø 229mm Open Hole Diameter: Ø 210mm
	6870-R28-NR4			4000-5000K	3,640 lm	
	6870-R28-WQ5			2700-3500	2,996 lm	
	6870-R36-CR5	50 Watts	Model 36	5000-6500K	5,004 lm	Input Voltage: 85-265 VAC 50/60Hz Net Weight: 1.38 Kg Dimension: H 191mm x Ø 229mm Open Hole Diameter: Ø 210mm
	6870-R36-NR4			4000-5000K	4,680 lm	
	6870-R36-WQ5			2700-3500	3,852 lm	

Packing Information

Dealer Information



U-Tron (Beijing) Electronics Co., Ltd.